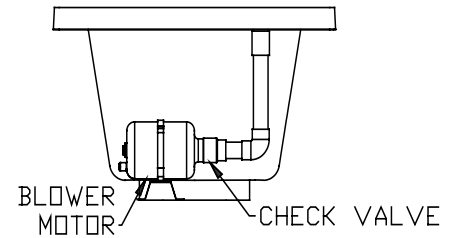
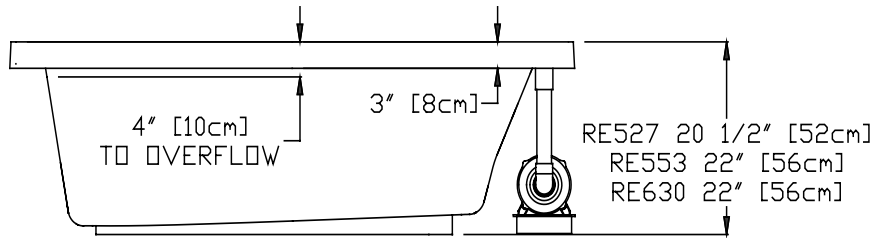
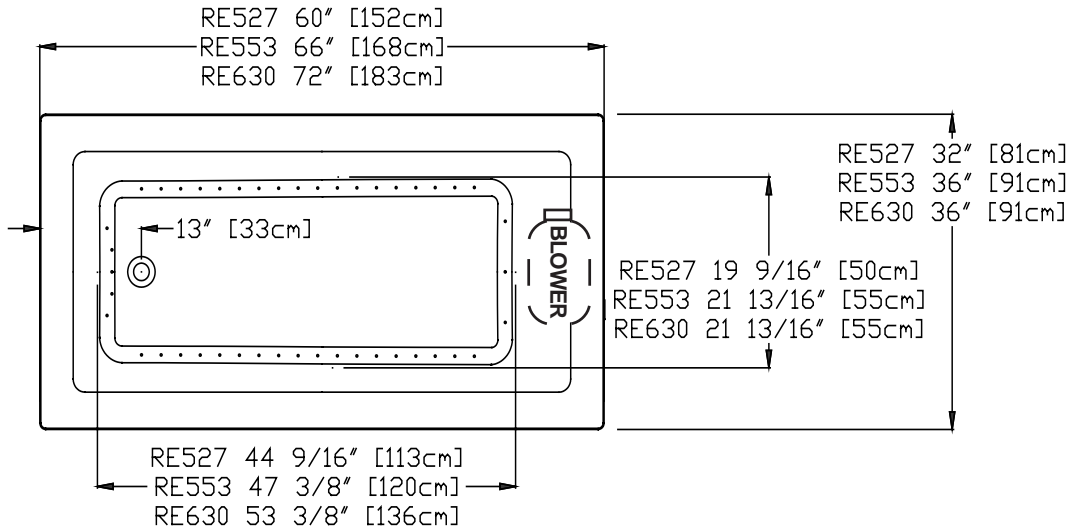


SPECIFICATIONS

RE527, RE553 & RE630

AirMasseur™ & Soaking Bath



NOTE: To accommodate customer preferences, the Control Console and **SANI-DESIGN™** Cleaning Cap Assembly are **not** factory installed on the bath deck. An installation kit for the **SANI-DESIGN™** Cleaning Cap, and a 6 ft. cable with installation instructions for connecting the Control Console to the control box are provided with all baths.

Patents recieved or pending.

Note: Dimensional Tolerances: ±1/4"

	RE527	RE553	RE630
Drop-in-Hole Size:	30" x 58"	34" x 64"	34" x 70"
Operating Capacity:	39 gal	48 gal	53 gal
Overflow Capacity:	62 gal	75 gal	83 gal
Floor Loading / sq.ft.:	54.5 lbs	51.1 lbs	50.3 lbs
Cartoned Wt: AirMasseur	106 lbs	125 lbs	133 lbs
Cartoned Wt: Soaker	68 lbs	87 lbs	95 lbs
Cube:	28.1 cu.ft.	36.6 cu.ft.	39.8 cu.ft.

Construction: Fiberglass reinforced acrylic bath with LevelForm™ full support base.

Blower Motor: 1 Hp, Vari-Speed, 120V, 60Hz, 15A, with integral air heater.

Underwater Light: Front access, 12V

Control: Pre-wired to the pump with 24" cord and plug end. *Note: CUL models are with Junction box*

We provide products listed with Underwriters Laboratories, Inc. (UL), International Association of Plumbing and Mechanical Officials (IAPMO), and Canadian Underwriters Laboratory (CUL). Consult factory with your listing requirements.

JASON INTERNATIONAL, INC.

8328 MacArthur Drive • North Little Rock, AR 72118 • www.jasoninternational.com
 501-771-4477 • Fax: 501-771-2333 • Cust. Svc.: 800-255-5766