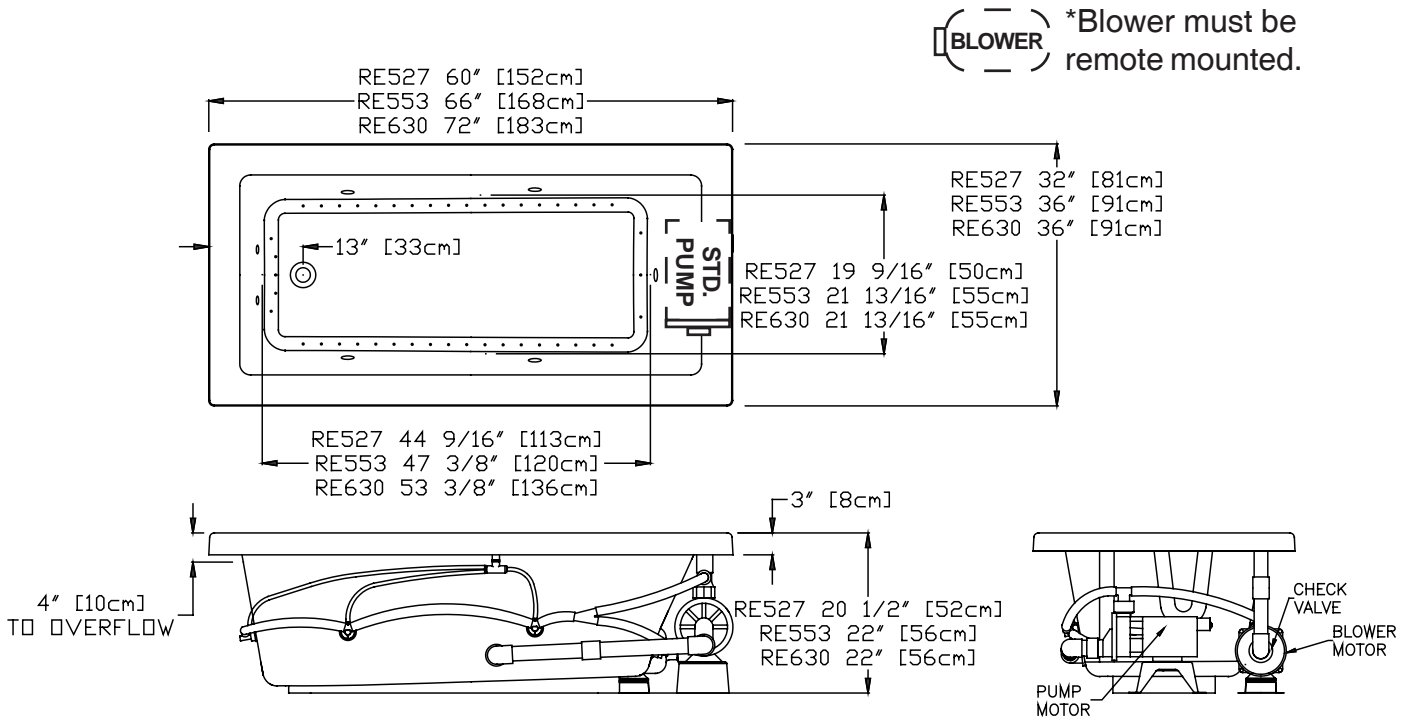


SPECIFICATIONS RE527, RE553 & RE630 Air-Whirlpool Bath



NOTE: To accommodate customer preferences, the Control Console and **SANI-DESIGN™** Cleaning Cap Assembly are **not** factory installed on the bath deck. An installation kit for the **SANI-DESIGN™** Cleaning Cap, and a 6 ft. cable with installation instructions for connecting the Control Console to the control box are provided with all baths.

Patents received or pending.

Note: Dimensional Tolerances: ±1/4"

	RE527	RE553	RE630		
Drop-in-Hole Size:	30" x 58"	34" x 64"	34" x 70"	Construction:	Fiberglass Reinforced Acrylic bath with Level Form™ full support base.
Operating Capacity:	39 gal	48 gal	53 gal	Pump Motor:	1 1/2 Hp, 120V, 60Hz, 20A.
Overflow Capacity:	62 gal	75 gal	83 gal	Blower Motor:	1 Hp, Vari-Speed, 120V, 60Hz, 15A, with integral air heater.
Floor Loading / sq.ft.:	59.5 lbs	55.2 lbs	54.1 lbs	Control:	Pre-wired to the pump with 24" cord and plug end. Note: CUL models are with Junction box.
Cartoned Wt:	160 lbs	179 lbs	187 lbs		
Cube:	28.1 cu.ft.	36.6 cu.ft.	39.8 cu.ft.		

We provide products listed with Underwriters Laboratories, Inc. (UL), International Association of Plumbing and Mechanical Officials (IAPMO), and Canadian Underwriters Laboratory (CUL). Consult factory with your listing requirements.

JASON INTERNATIONAL, INC.

8328 MacArthur Drive • North Little Rock, AR 72118 • www.jasoninternational.com
501-771-4477 • Fax: 501-771-2333 • Cust. Svc.: 800-255-5766