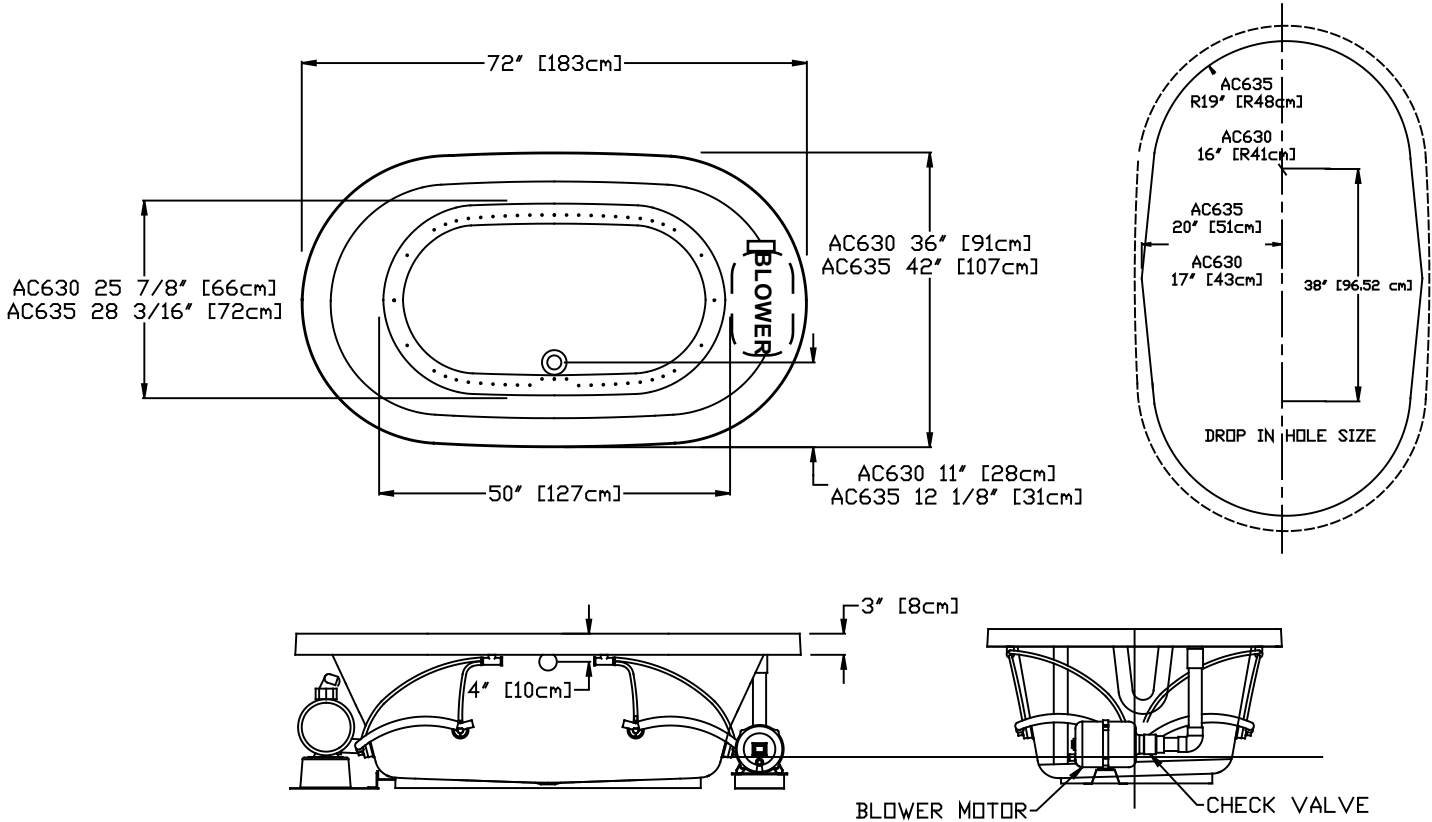


SPECIFICATIONS AC630 & AC635 AirMasseur[™] & Soaking Bath





NOTE: To accommodate customer preferences, the Control Console and SANI-DESIGN[™] Cleaning Cap Assembly is **not** factory installed on the bath deck. An installation kit for the SANI-DESIGN[™] Cleaning Cap, and a 6 ft. cable with installation instructions for connecting the Control Console to the control box are provided with all baths.

Patents recieved or pending.

Note: Dimensional Tolerances: ±1/4"

	AC630	AC635
Drop-in-Hole Size:	SEE DIAGRAM	
Operating Capacity:	49 gal	56 gal
Overflow Capacity:	75 gal	88 gal
Floor Loading / sq.ft.:	52.6 lbs	49.3 lbs
Cartoned Wt: AirMasseur	130 lbs	137 lbs
Cartoned Wt: Soaker	113 lbs	120 lbs
Cube:	39.8 cu.ft.	46.0 cu.ft.
Construction:	Fiberglass reinforced acrylic bath with Level Form [™] full-support base	

We provide products listed with Underwriters Laboratories, Inc. (UL), International Association of Plumbing and Mechanical Officials (IAPMO), and Canadian Underwriters Laboratory (CUL). Consult factory with your listing requirements.

Standard		1 hp, variable speed blower with integral air heater and electronic control with 20 minute timer and automatic purge cycle. Contoller operates blower, blower speed for continuous or massage mode. Requires one (1) 120V 20A dedicated GFCI-protected circuit.
Signature		1 hp, variable speed blower with integral air heater and digital control with 20-minute timer and automatic purge cycle. Controller operates blower, blower speed for for continuous, wave or pulse massage mode. Shows blower speed and time remaining. Includes LED mood light and floating universal remote control that operates all bath functions plus TV, DVD, CD, etc. Requires two (2) 120V 20A dedicated GFCI-protected circuits.