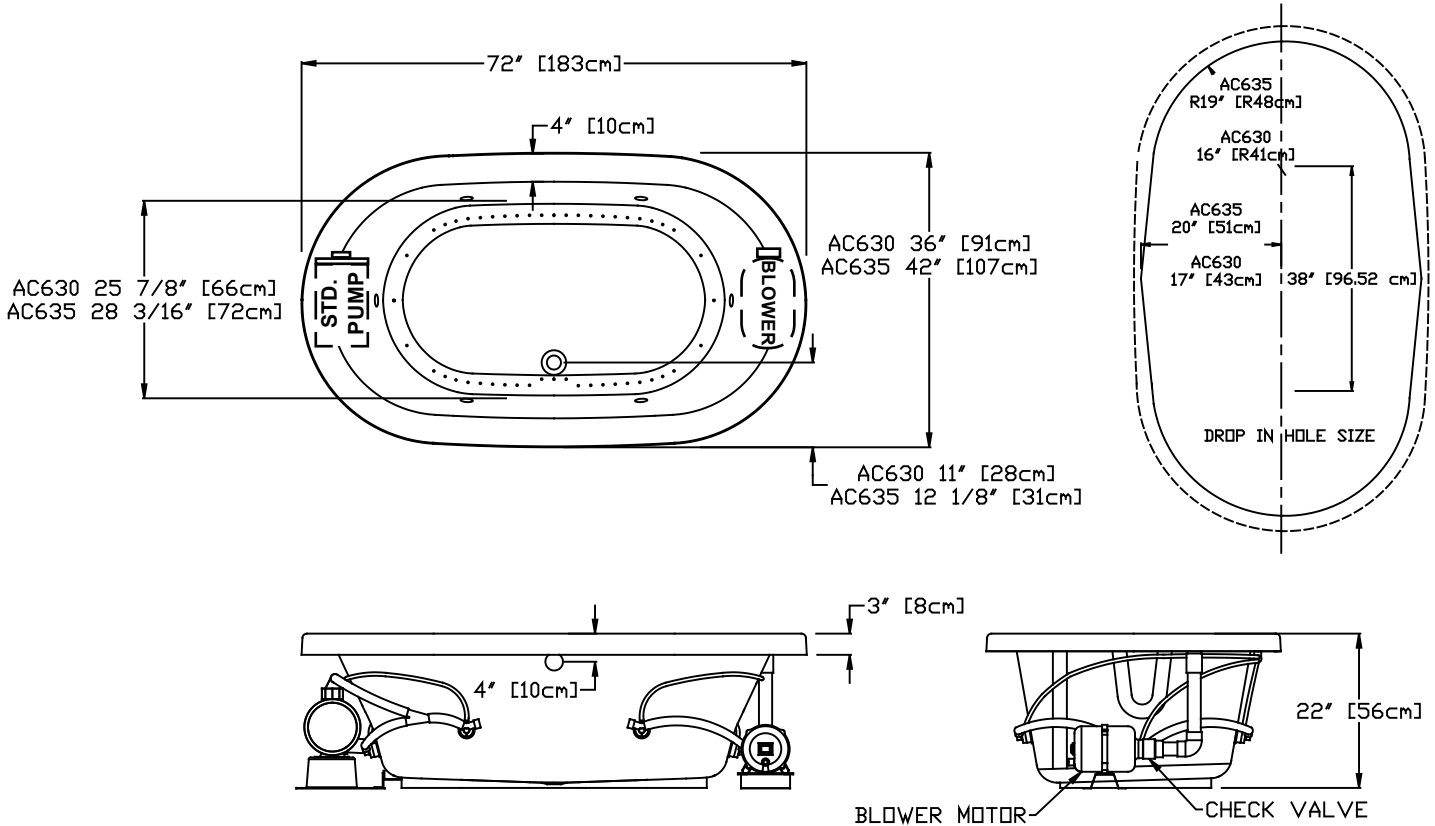


SPECIFICATIONS AC630 & AC635 Air-Whirlpool Bath



NOTE: To accommodate customer preferences, the Control Console and SANI-DESIGN[™] Cleaning Cap Assembly are **not** factory installed on the bath deck. An installation kit for the SANI-DESIGN[™] Cleaning Cap, and a 6 ft. cable with installation instructions for connecting the Control Console to the control box are provided with all baths.



Patents recieved or pending.

Note: Dimensional Tolerances: ±1/4"

	AC630	AC635
Drop-in-Hole Size:	SEE DIAGRAM	
Operating Capacity:	49 gal	56 gal
Overflow Capacity:	75 gal	88 gal
Floor Loading / sq.ft.:	56.7 lbs	52.9 lbs
Cartoned Wt: AirMasseur	184 lbs	191 lbs
Cube:	39.8 cu.ft.	46.0 cu.ft.

Construction: Fiberglass reinforced acrylic bath with Level Form[™] full-support base

We provide products listed with Underwriters Laboratories, Inc. (UL), International Association of Plumbing and Mechanical Officials (IAPMO), and Canadian Underwriters Laboratory (CUL). Consult factory with your listing requirements.

Standard	 <p>Quiet 1 1/2 hp, 1 speed pump, and a 1 hp variable speed air blower with integral air heater. Blower control operates variable speed or pulse mode, 20-minute timer, and auto purge cycle. Pump control operates pump, low water level sensor and separate 20-minute timer. Requires one (1) 120V 20A dedicated GFCI-protected circuits.</p>
Signature	 <p>1 1/2 hp, 3-speed pump, 1 hp variable speed air blower with integral air heater, and a front access LED moodlight. Digital control with low water level and water temperature sensors, 20-minute timer, an automatic purge cycle. Controller operates 3-speed pump, air blower, air blower heater, blower speed, and continuous, pulse or wave massage mode. Floating Universal Remote Control operates all bath and light functions plus TV, VCR, CD, etc. Requires two (2) 120V 20A dedicated GFCI-protected circuits.</p>